



S WIVEL JOINT

SJS. SJH. SJM SERIES

1. Features

Swivel Joint is the fitting which can be used under lower rotation and swinging (reciprocating rotary motion) for high pressure piping.

This is mainly used for the connection between fixed piping and high pressure hose, and is very useful for prevention of excessive attachment and/or torsion of the hose.

1) S J S type

Simplified its structure for general use.

2) S J H type

In order to be used for severe operating conditions, applied the slipper seal of extra lower abrasion so that it prevents co-rotating of O-ring and abrasion.

3) S J M type

This type is straight swivel joint. Steel ball is located in the sliding part to secure the easy rotating motion.

2. Specifications

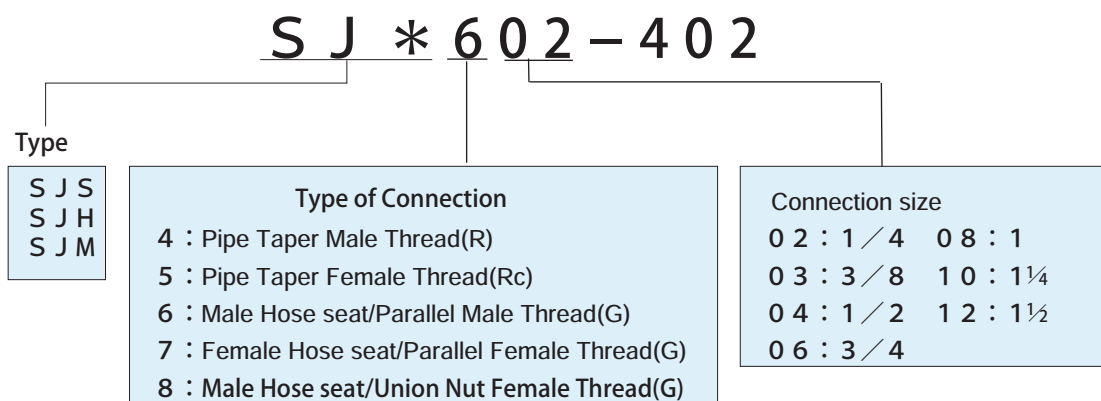
1) Maximum working pressure : 21MPa

2) Fluid : Hydraulic oil (−20°C~95°C)

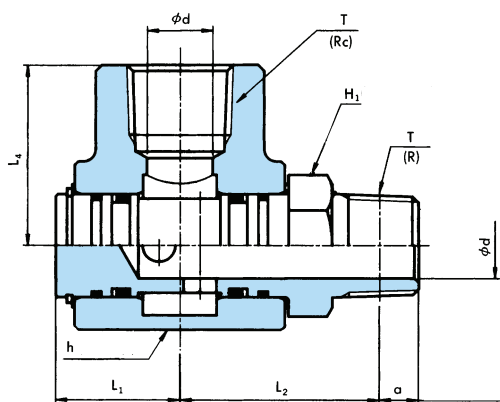
3) Swivelling angle : 360°

4) Swivelling speed : 25 cycle/min at swivelling angle of 110°

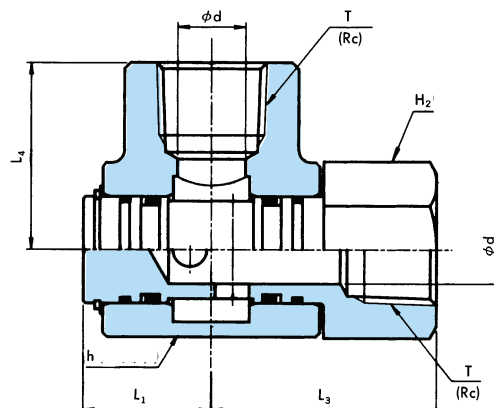
3. Nomenclature



SJS5 ≡ ≡ -4 ≡ ≡



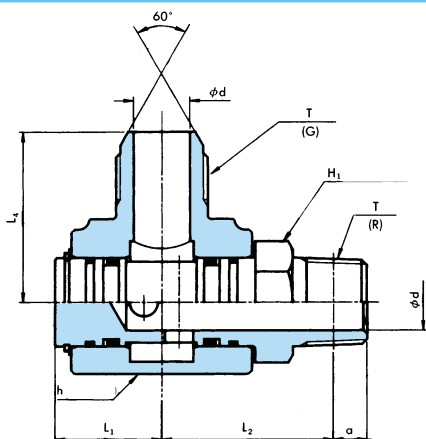
SJS5 ≡ ≡ -5 ≡ ≡



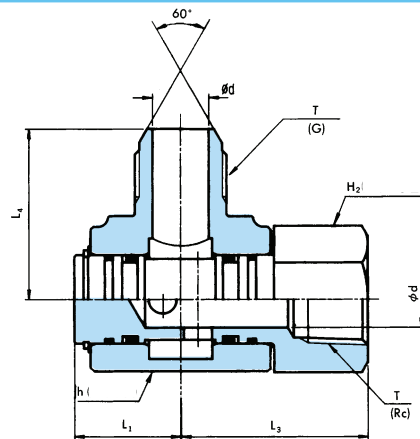
Unit : mm

F	×	M	F	×	F	T	d	L ₁	L ₂	L ₃	L ₄	a	h _(HEX)	H ₁	H ₂
SJS502-402		SJS502-502	1/4			5	19.5	31.5	34.5	30	6.01	22	14	19	
SJS503-403		SJS503-503	3/8			8	22	35.7	39	30	6.35	27	19	24	
SJS504-404		SJS504-504	1/2			11.5	24	40.3	45.5	35	8.16	32	22	30	
SJS506-406		SJS506-506	3/4			16	30	48.5	55	42	9.53	41	30	36	
SJS508-408		SJS508-508	1			20	36	57.1	64.5	46	10.39	46	36	41	
SJS510-410		SJS510-510	1 1/4			26	40	65.3	75	58	12.7	60	46	55	

SJS6 ≡ ≡ -4 ≡ ≡



SJS6 ≡ ≡ -5 ≡ ≡

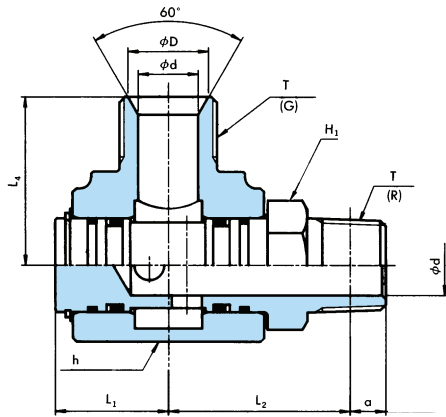


Unit : mm

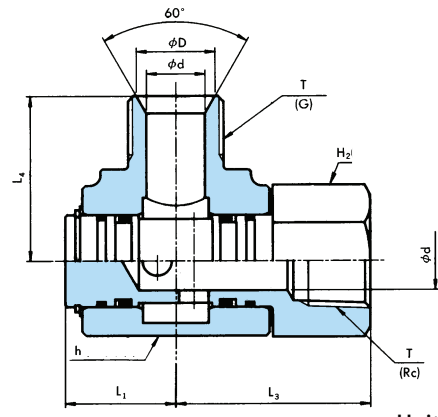
M	×	M	M	×	F	T	d	L ₁	L ₂	L ₃	L ₄	a	h _(HEX)	H ₁	H ₂
SJS602-402		SJS602-502	1/4			5	19.5	31.5	34.5	30	6.01	22	14	19	
SJS603-403		SJS603-503	3/8			8	22	35.7	39	33	6.35	27	19	24	
SJS604-404		SJS604-504	1/2			11.5	24	40.3	45.5	38	8.16	32	22	30	
SJS606-406		SJS606-506	3/4			16	30	48.5	55	42	9.53	41	30	36	
SJS608-408		SJS608-508	1			20	36	57.1	64.5	54	10.39	46	36	41	
SJS610-410		SJS610-510	1 1/4			26	40	65.3	75	63	12.7	60	46	55	

IHARA SWIVELJOINT : S J S

SJS7 ≡ ≡ -4 ≡ ≡



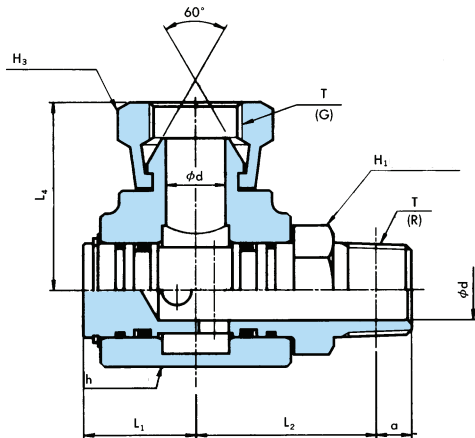
SJS7 ≡ ≡ -5 ≡ ≡



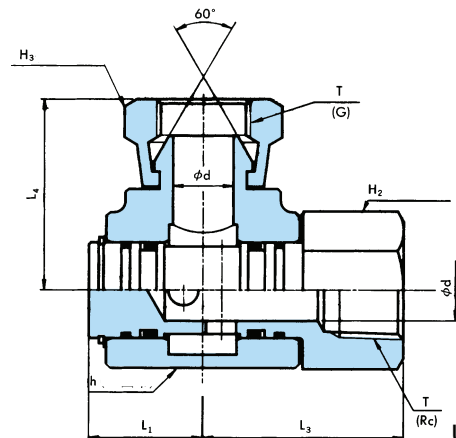
Unit : mm

M	×	M	M	×	F	T	D	d	L ₁	L ₂	L ₃	L ₄	a	h ^(HEX)	H ₁	H ₂
SJS702-402		SJS702-502			1/4	9.5	5	19.5	31.5	34.5	29	6.01	22	14	19	
SJS703-403		SJS703-503			3/8	12.5	8	22	35.7	39	30	6.35	27	19	24	
SJS704-404		SJS704-504			1/2	16	11.5	24	40.3	45.5	35	8.16	32	22	30	
SJS706-406		SJS706-506			3/4	21.5	16	30	48	55	41	9.53	41	30	36	
SJS708-408		SJS708-508			1	27.5	20	36	57	64.5	47	10.39	46	36	41	
SJS710-410		SJS710-510			1 1/4	36	26	40	65.3	75	61	12.7	60	46	55	

SJS8 ≡ ≡ -4 ≡ ≡



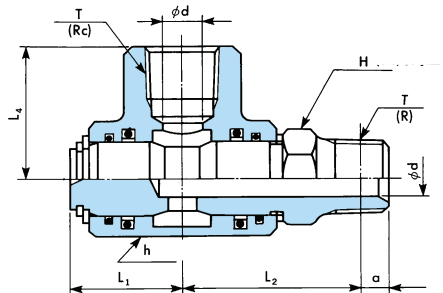
SJS8 ≡ ≡ -5 ≡ ≡



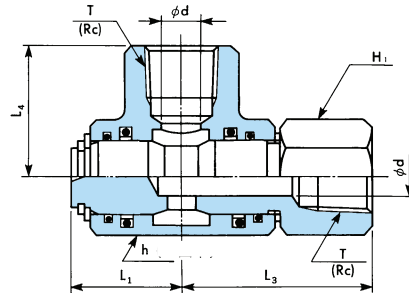
Unit : mm

F	×	M	F	×	F	T	d	L ₁	L ₂	L ₃	L ₄	a	h ^(HEX)	H ₁	H ₂	H ₃
SJS802-402		SJS802-502			1/4	5	19.5	31.5	34.5	32.8	6.01	22	14	19	19	
SJS803-403		SJS803-503			3/8	8	22	35.7	39	34.8	6.35	27	19	24	22	
SJS804-404		SJS804-504			1/2	11.5	24	40.3	45.5	38.8	8.16	32	22	30	27	
SJS806-406		SJS806-506			3/4	16	30	48.5	55	44.6	9.53	41	30	36	36	
SJS808-408		SJS808-508			1	20	36	57.1	64.5	51.3	10.39	46	36	41	41	
SJS810-410		SJS810-510			1 1/4	26	40	65.3	75	65.5	12.7	60	46	55	50	

SJH5 ≡ ≡ -4 ≡ ≡



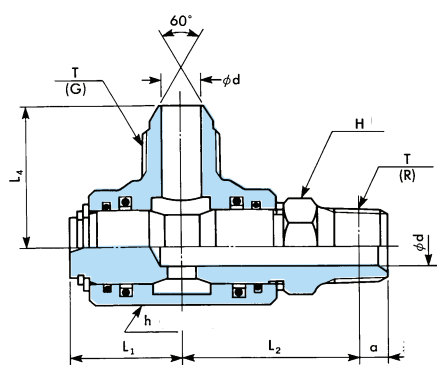
SJH5 ≡ ≡ -5 ≡ ≡



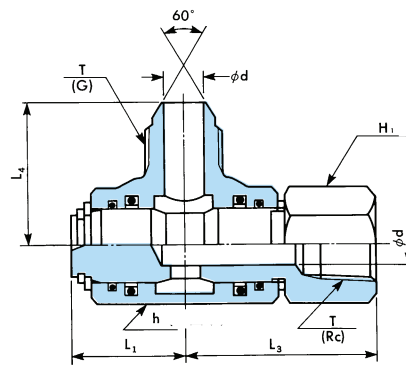
Unit : mm

F	×	M	F	×	F	T	d	L ₁	L ₂	L ₃	L ₄	a	h	H ₁	H ₂
SJH502-402		SJH502-502	1/4		6	25.5	38.5	42.5	30	6.01	27	19	19		
SJH503-403		SJH503-503	3/8		8.5	25.5	39.1	42.5	30	6.35	27	19	24		
SJH504-404		SJH504-504	1/2		12	27.5	44.3	49.5	36	8.16	32	24	30		
SJH506-406		SJH506-506	3/4		17	33.5	52	56.5	42	9.53	41	30	36		
SJH508-408		SJH508-508	1		22	36	58.6	67	46	10.39	46	36	41		
SJH510-410		SJH510-510	1 1/4		31	41	65.3	75	59	12.7	71	46	55		
SJH512-412		SJH512-512	1 1/2		36	45	70.3	78	63	12.7	85	50	65		

SJH6 ≡ ≡ -4 ≡ ≡



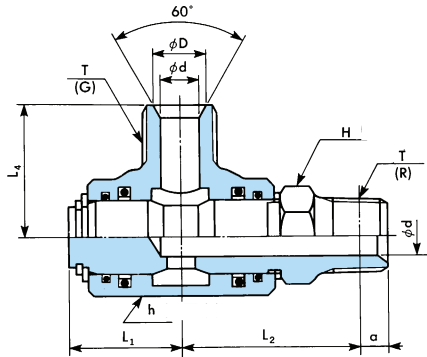
SJH6 ≡ ≡ -5 ≡ ≡



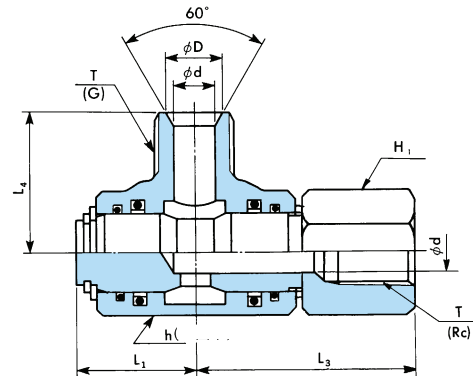
Unit : mm

M	×	M	M	×	F	T	d	L ₁	L ₂	L ₃	L ₄	a	h	H ₁	H ₂
SJH602-402		SJH602-502	1/4		6	25.5	38.5	42.5	31	6.01	27	19	19		
SJH603-403		SJH603-503	3/8		8.5	25.5	39.1	42.5	33	6.35	27	19	24		
SJH604-404		SJH604-504	1/2		12	27.5	44.3	49.5	38	8.16	32	24	30		
SJH606-406		SJH606-506	3/4		17	33.5	52	56.5	44	9.53	41	30	36		
SJH608-408		SJH608-508	1		22	36	58.6	67	54	10.39	46	36	41		
SJH610-410		SJH610-510	1 1/4		31	41	65.3	75	63	12.7	71	46	55		
SJH612-412		SJH612-512	1 1/2		36	45	70.3	78	70	12.7	85	50	65		

SJH7 $\equiv \equiv -4 \equiv \equiv$



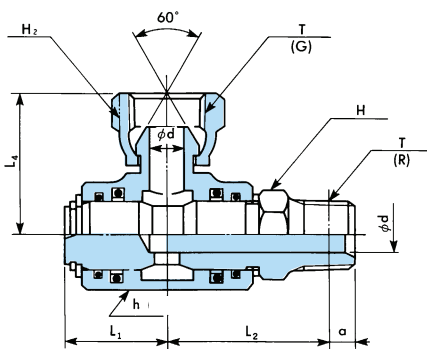
SJH7 $\equiv \equiv -5 \equiv \equiv$



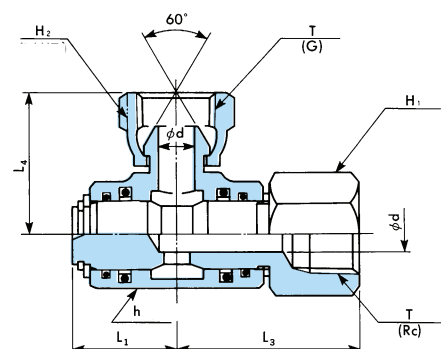
Unit : mm

M	×	M	M	×	F	T	D	d	L ₁	L ₂	L ₃	L ₄	a	h	H ₁	H ₂
SJH702-402		SJH702-502			1/4	9.5	6	25.5	38.5	42.5	29	6.01	27	19	19	
SJH703-403		SJH703-503			3/8	12.5	8.5	25.5	39.1	42.5	30	6.35	27	19	24	
SJH704-404		SJH704-504			1/2	16	12	27.5	44.3	49.5	37	8.16	32	24	30	
SJH706-406		SJH706-506			3/4	21.5	17	33.5	52	56.5	41	9.53	41	30	36	
SJH708-408		SJH708-508			1	27.5	22	36	58.6	67	49	10.39	46	36	41	
SJH710-410		SJH710-510			1 1/4	36	31	41	65.3	75	61	12.7	71	46	55	
SJH712-412		SJH712-512			1 1/2	42	36	45	70.3	78	68	12.7	85	50	65	

SJH8 $\equiv \equiv -4 \equiv \equiv$



SJH8 $\equiv \equiv -5 \equiv \equiv$

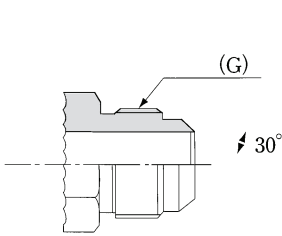


Unit : mm

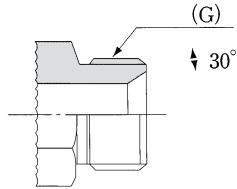
F	×	M	F	×	F	T	d	L ₁	L ₂	L ₃	L ₄	a	h	H ₁	H ₂	H ₃
SJH802-402		SJH802-502			1/4	6	25.5	38.5	42.5	28	6.01	27	19	19	19	
SJH803-403		SJH803-503			3/8	8.5	25.5	39.1	42.5	28	6.35	27	19	24	22	
SJH804-404		SJH804-504			1/2	12	27.5	44.3	49.5	34	8.16	32	24	30	27	
SJH806-406		SJH806-506			3/4	17	33.5	52	56.5	46	9.53	41	30	36	36	
SJH808-408		SJH808-508			1	22	36	58.6	67	50	10.39	46	36	41	41	
SJH810-410		SJH810-510			1 1/4	31	41	65.3	75	66	12.7	71	46	55	50	

Type of Connection Port

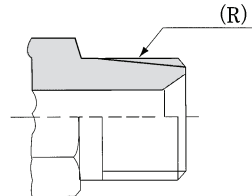
The types are available depend upon connection ports of equipment and hoses.
Some examples of the connection port are shown below.



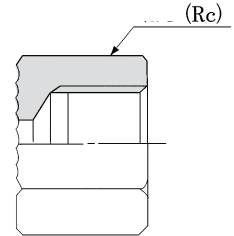
Male (Female) Adapter



Male (Female) Adapter

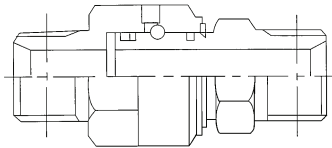


Tapered Male Adapter



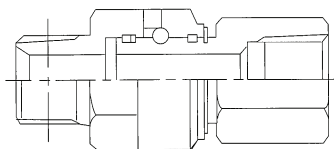
Tapered Female Adapter

No.	(R) T	d	D	L	HEX		G
					H	H1	
※ SJM402-402	1/4	5	25.5	64	22	14	6.01
SJM403-403	3/8	8	28.5	75	22	19	6.35
SJM404-404	1/2	11.5	33	85	27	22	8.16
SJM406-406	3/4	16	42	97	36	30	9.53
SJM408-408	1	20	47.5	107	41	36	10.39
SJM410-410	1 · 1/4	26	58	126.5	50	46	12.70



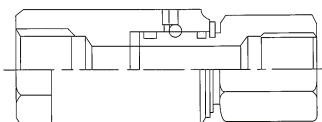
Type of *Mark Size

No.	(R×Rc) T	d	D	L	HEX		G
					H	H1	
※ SJM402-502	1/4	5	25.5	61	22	19	6.01
SJM403-503	3/8	8	28.5	72	22	24	6.35
SJM404-504	1/2	11.5	33	82	27	30	8.16
SJM406-506	3/4	16	42	94	36	36	9.53
SJM408-508	1	20	47.5	104	41	46	10.39
SJM410-510	1 · 1/4	26	58	123.5	50	55	12.70

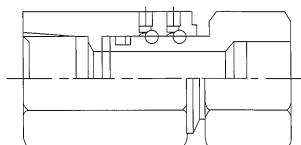


Type of *Mark Size

No.	(Rc) T	d	D	L	HEX	
					H	H1
※ SJM502-502	1/4	5	25.5	62	22	19
SJM503-503	3/8	8	28.5	73	24	24
SJM504-504	1/2	11.5	33	84	30	30
SJM506-506	3/4	16	42	94	36	36
☆ SJM508-508	1	—	—	105	50	46
☆ SJM510-510	1 · 1/4	26	—	124	60	55

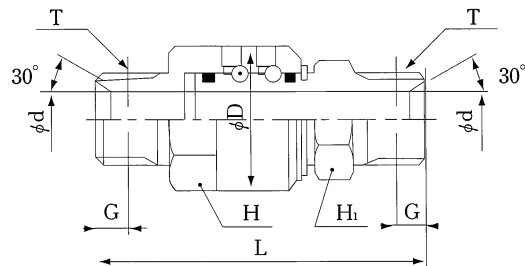


Type of *Mark Size

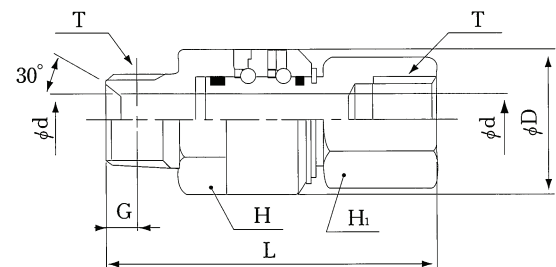


Type of ☆Mark Size

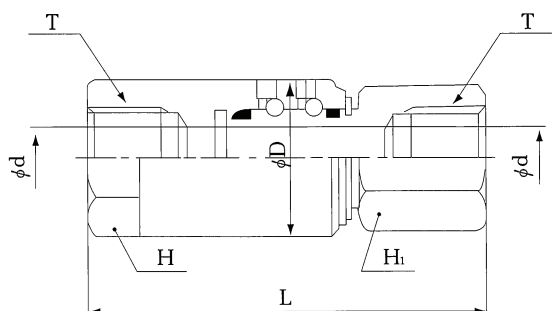
SJM4※※-4※※



SJM4※※-5※※

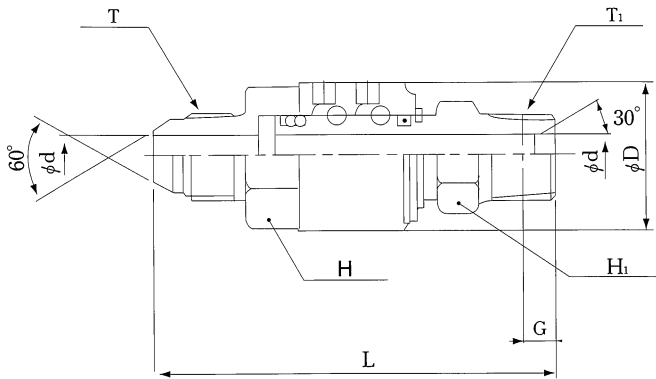


SJM5※※-5※※

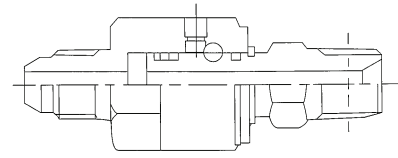


IHARA SWIVEL JOINT : S J M

SJM6***-4***

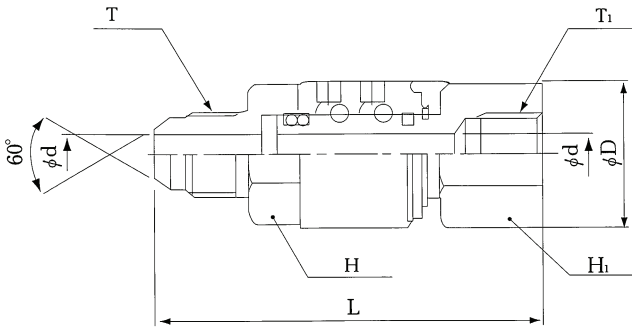


No.	(G×R) T×T ₁	d	D	L	HEX		G
					H	H1	
※ SJM602-402	1/4	5	25.5	66	22	14	6.01
SJM603-403	3/8	8	28.5	77.5	22	19	6.35
SJM604-404	1/2	11	33	88	27	22	8.16
SJM606-406	3/4	16	42	97.5	36	30	9.53
SJM608-408	1	20	47.5	105.5	41	36	10.39
SJM610-410	1 · 1/4	26	58	126.5	50	46	12.70

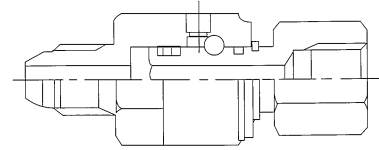


Type of *Mark Size

SJM6***-5***

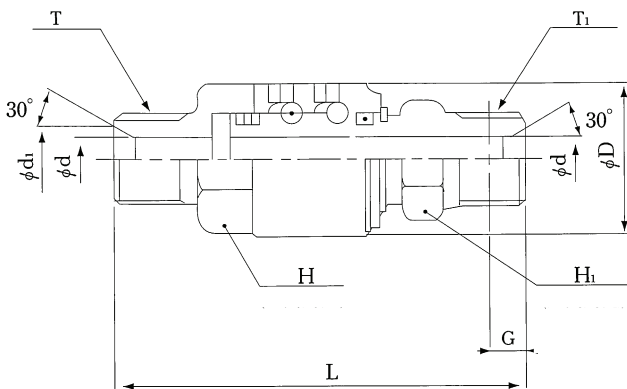


No.	(G×Rc) T×T ₁	d	D	L	HEX	
					H	H1
※ SJM602-502	1/4	5	25.5	63	22	19
SJM603-503	3/8	8	28.5	74.5	22	24
SJM604-504	1/2	11	33	83	27	30
SJM606-506	3/4	16	42	94.5	36	36
SJM608-508	1	20	47.5	102.5	41	46
SJM610-510	1 · 1/4	26	58	123.5	50	55

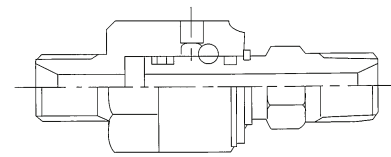


Type of *Mark Size

SJM7***-4***

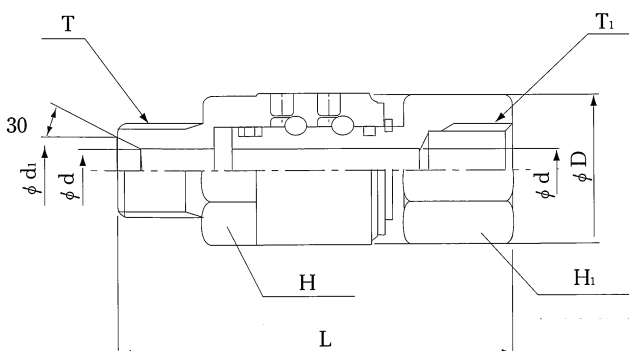


No.	(G×R) T×T ₁	d	d ₁	D	L	HEX		G
						H	H1	
※ SJM702-402	1/4	5	9.5	25.5	63	22	14	6.01
SJM703-403	3/8	8	12.5	28.5	75	22	19	6.35
SJM704-404	1/2	11.5	16	33	83	27	22	8.16
SJM706-406	3/4	16	21.5	42	96	36	30	9.53
SJM708-408	1	20	27.5	47.5	105	41	36	10.39
SJM710-410	1 · 1/4	26	36	58	125.5	50	46	12.70

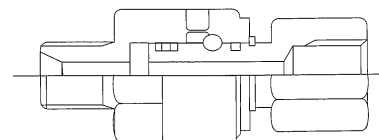


Type of *Mark Size

SJM7***-5***



No.	(G×R) T×T ₁	d	d ₁	D	L	HEX	
						H	H1
※ SJM702-502	1/4	5	9.5	25.5	60	22	19
SJM703-503	3/8	8	12.5	28.5	72	22	24
SJM704-504	1/2	11.5	16	33	81	27	30
SJM706-506	3/4	16	21.5	42	93	36	36
SJM708-508	1	20	27.5	47.5	102	41	46
SJM710-510	1 · 1/4	26	36	58	122.5	50	55



Type of *Mark Size

WARNING: If you don't select and handle fittings, valves and related accessories in an adequate manner, it may damage human beings and applicable systems.

Within the responsibility and authorization of users and piping designers, fittings, valves and related accessories shall be adequately selected, assembled, used and maintained based on the applicable conditions and product conformity to the system to be applied.

Please read carefully our operation manual and feel free to contact with IHARA SCIENCE CORPORATION if you have any question of request.



IHARA SCIENCE CORPORATION

URL: <http://www.ihara-sc.co.jp>

Head office : 3-11-3, Takanawa, Minato-Ku, Tokyo, Japan 108-0074

Tel: +81-(0)3-6721-6981

Fax: +81-(0)3-6721-6991